

3661 LAMPHOLE FRAME & COVER

Heavy duty

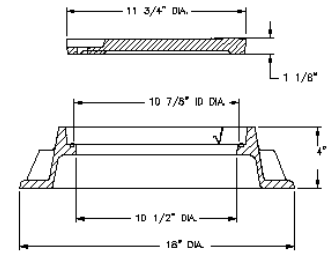
Options

Grates — ADA M2

Approximate 33 sq. in. open area

Bolted assembly

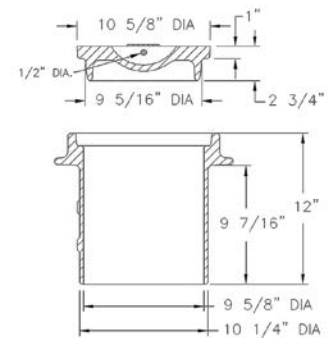
Watertite assembly



3663 FRAME & COVER

Heavy duty

Special lettered covers

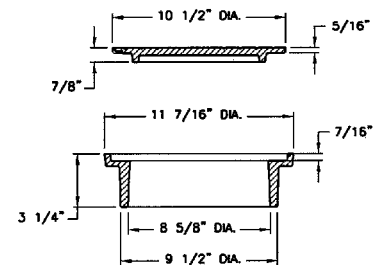


3670 METER BOX

Light duty (Non-traffic)

Options

Ductile iron grates



Supplied By:



877-903-7246

www.trenchdrainsupply.com

